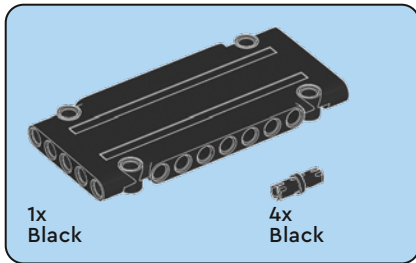
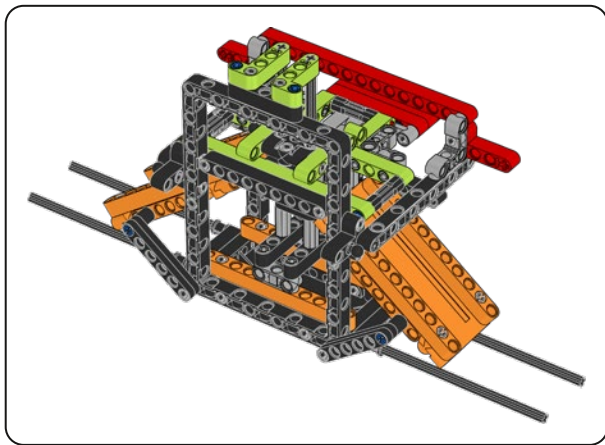
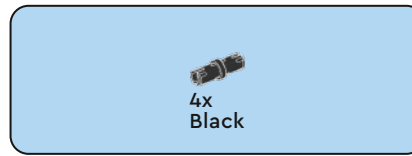
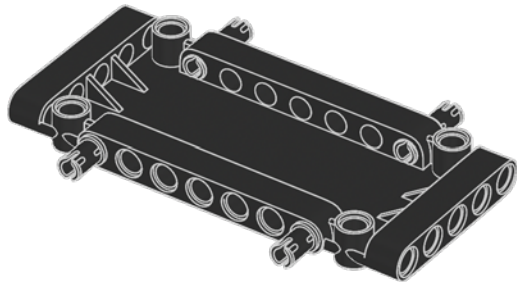


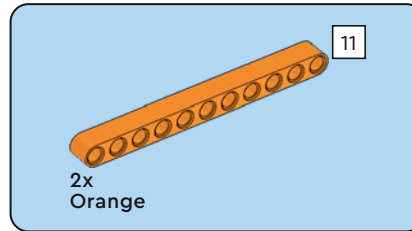
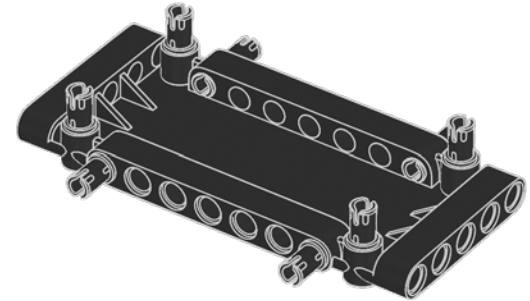
45820



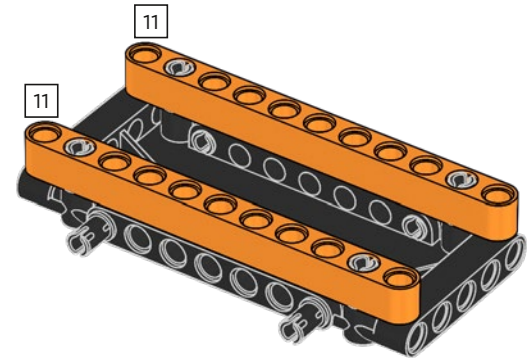
1

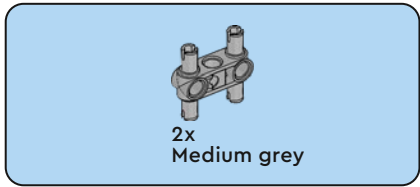


2

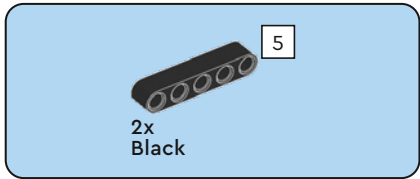
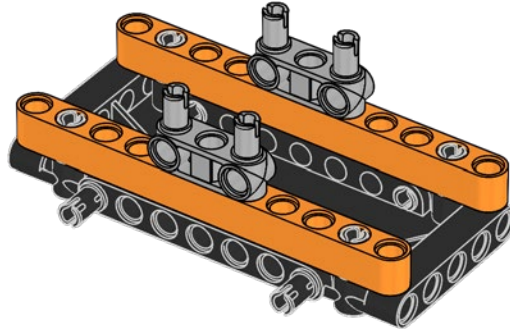


3

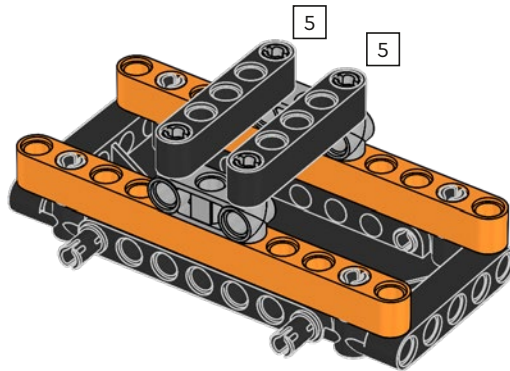


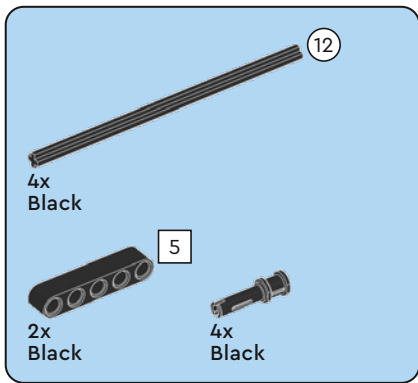


4

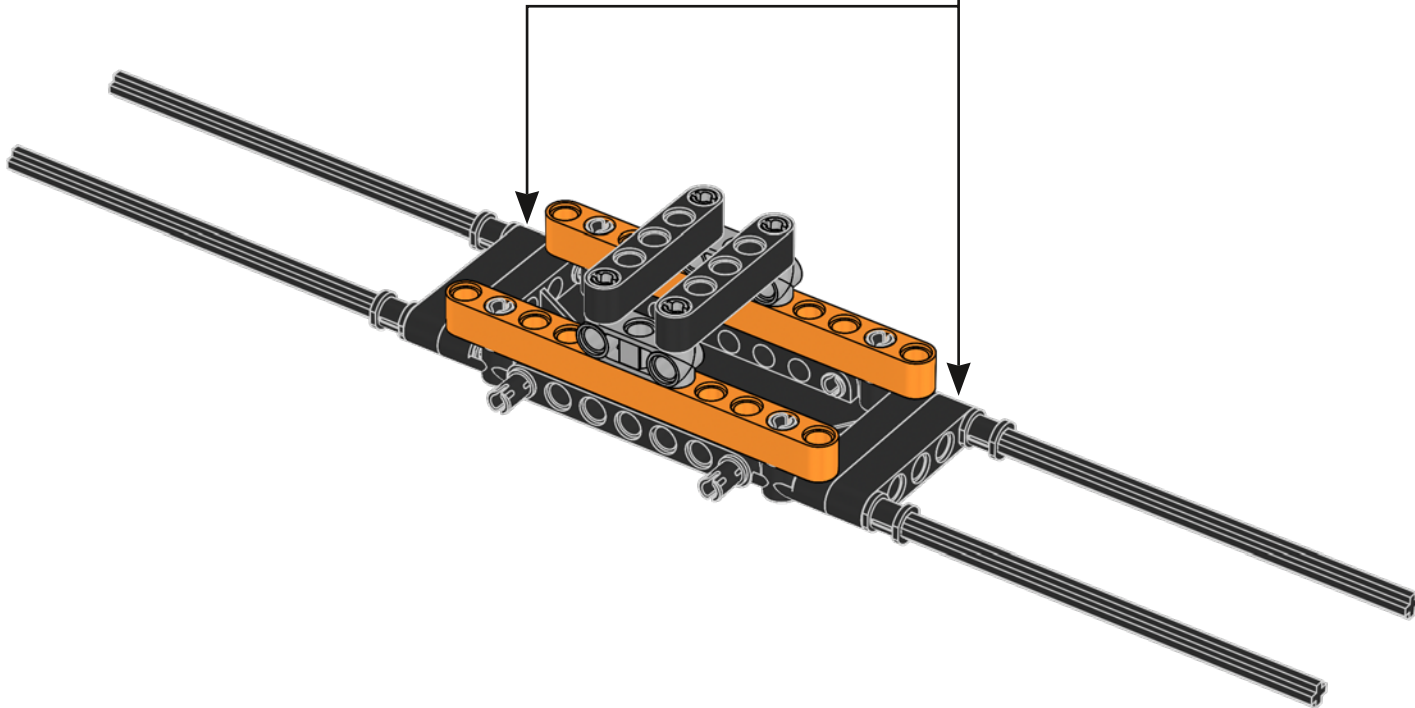
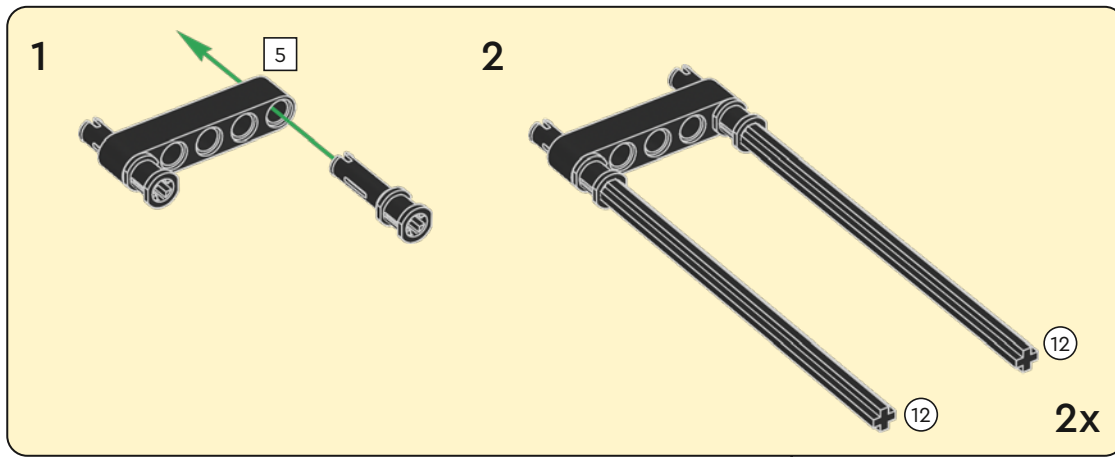


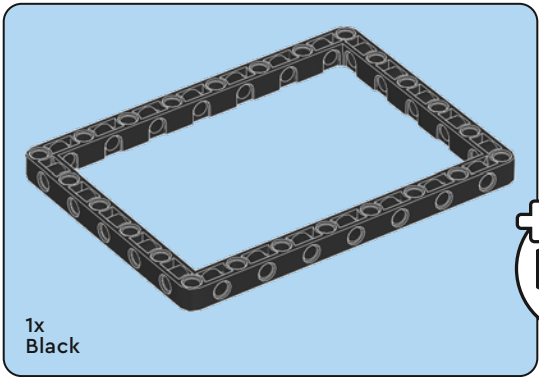
5



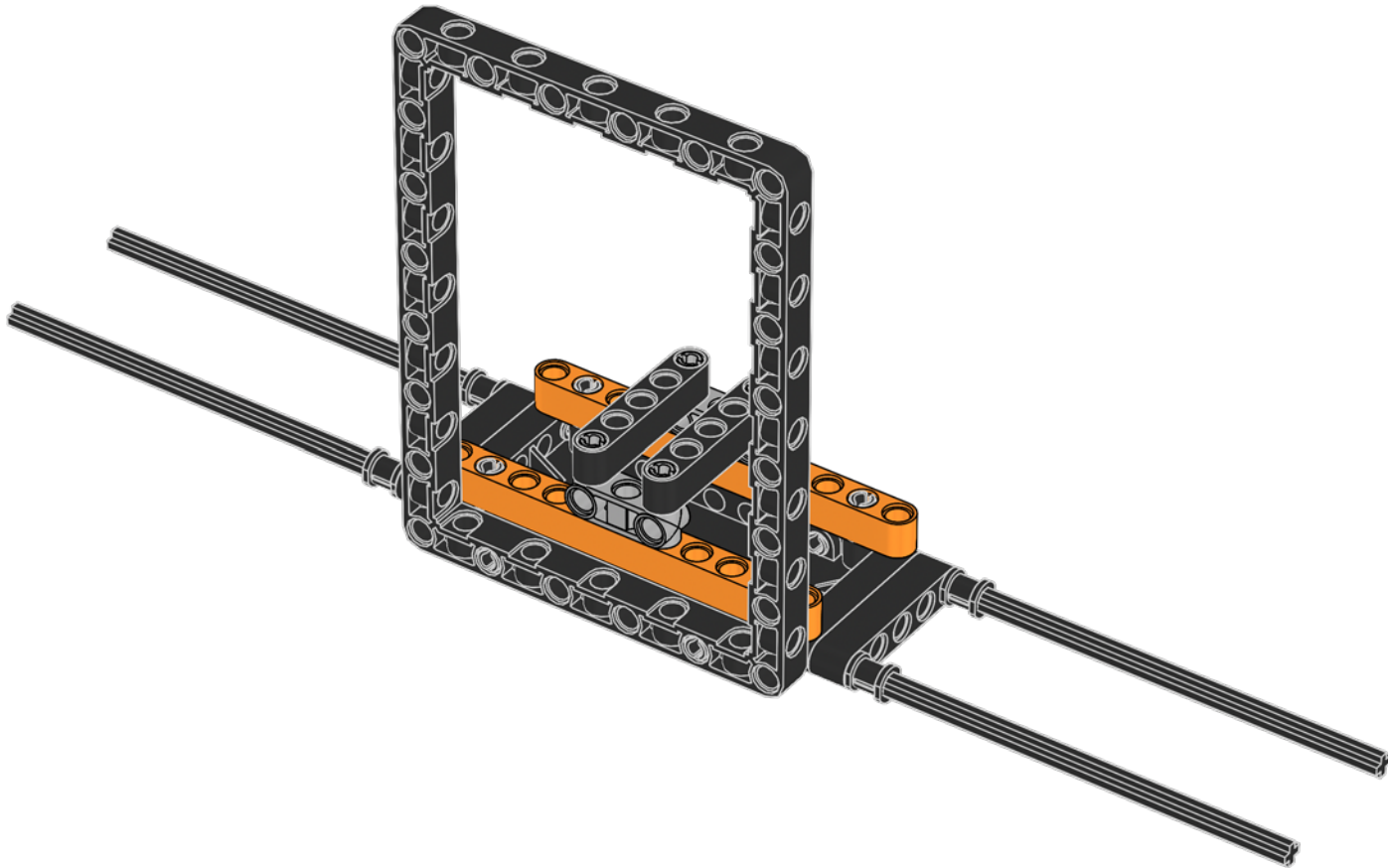


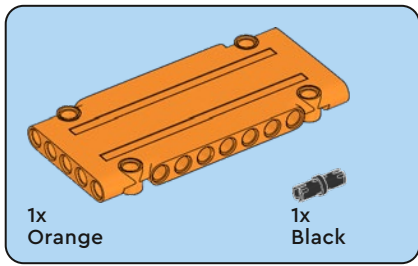
6



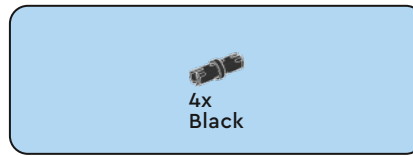
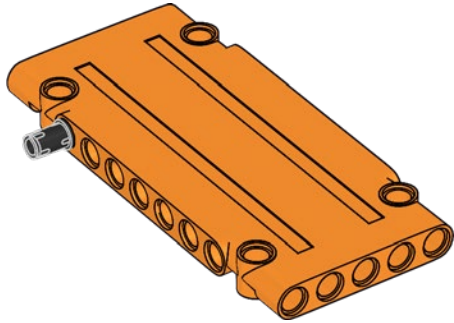


7

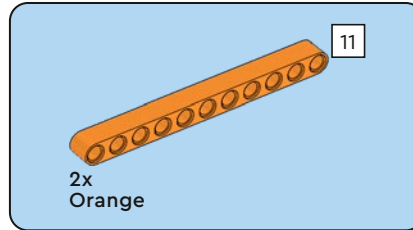
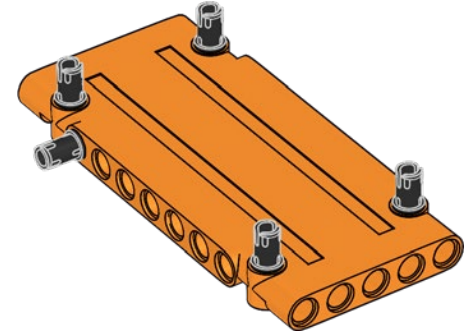




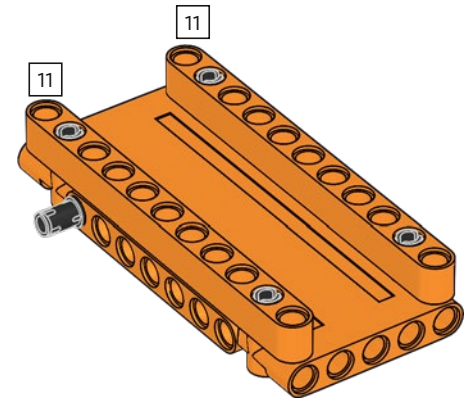
8



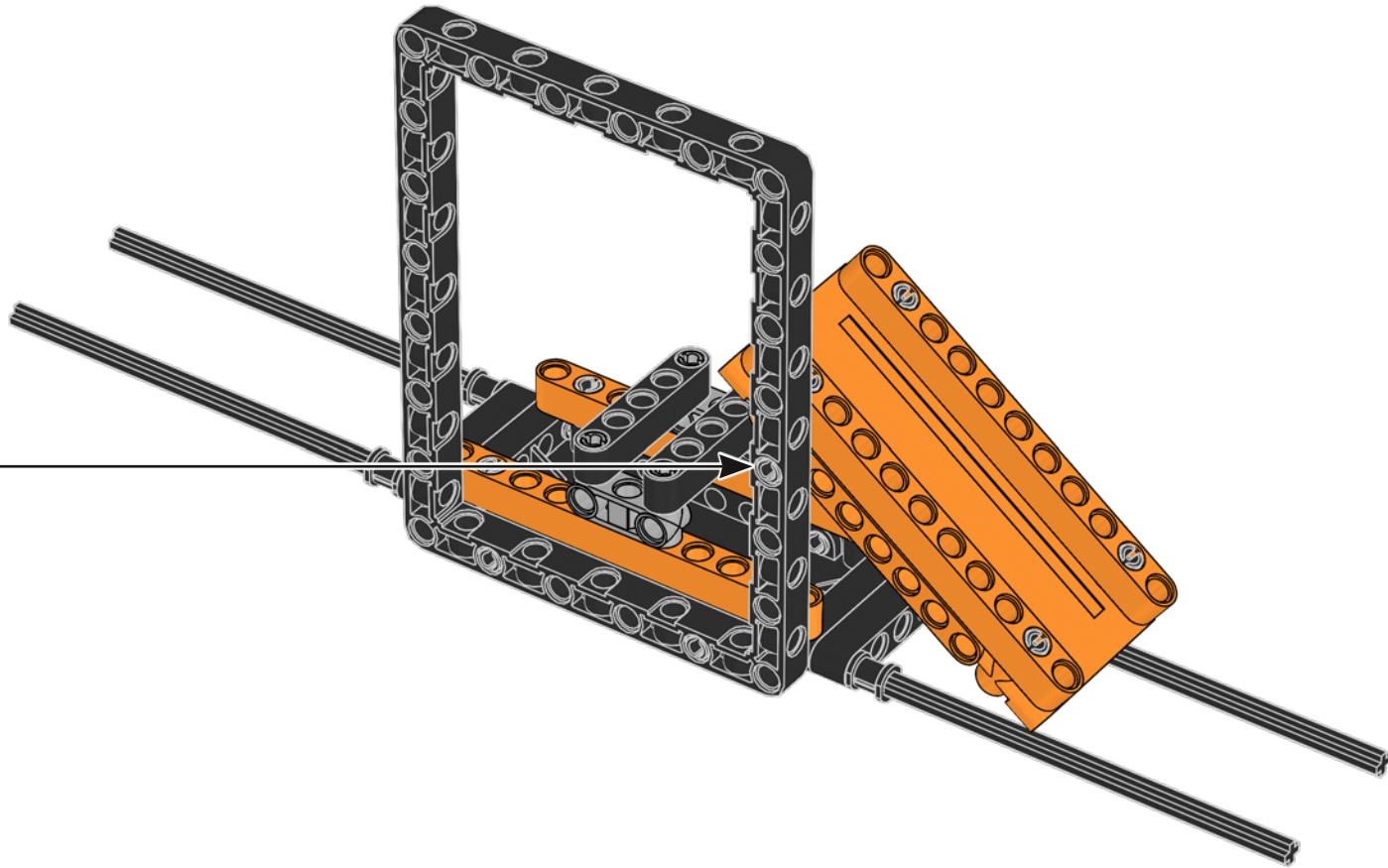
9

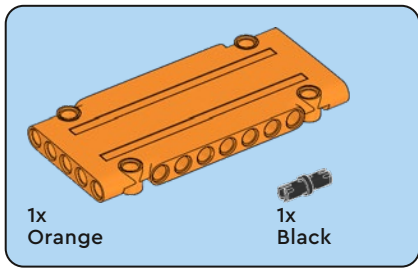


10

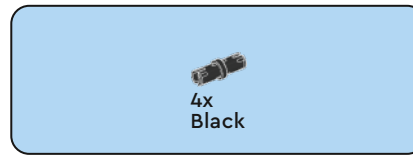
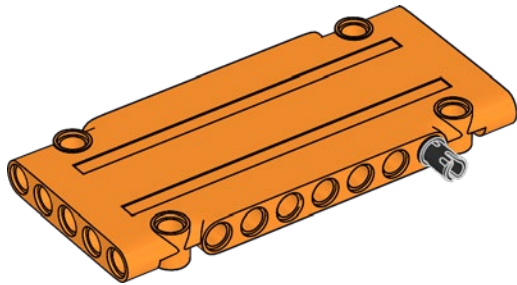


11

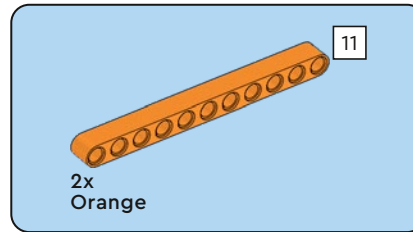
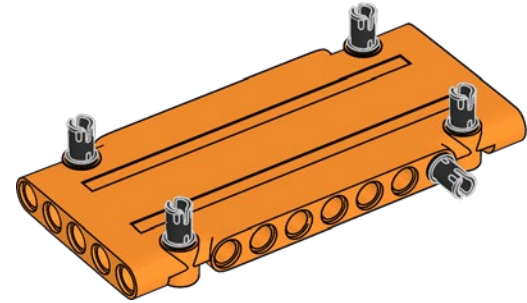




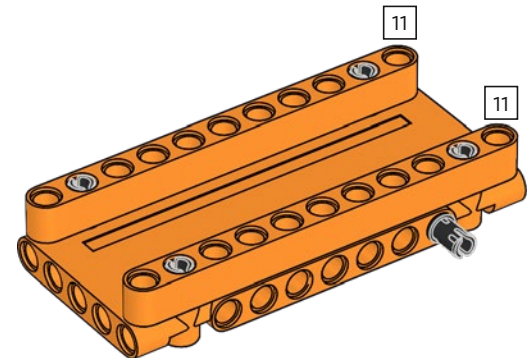
12



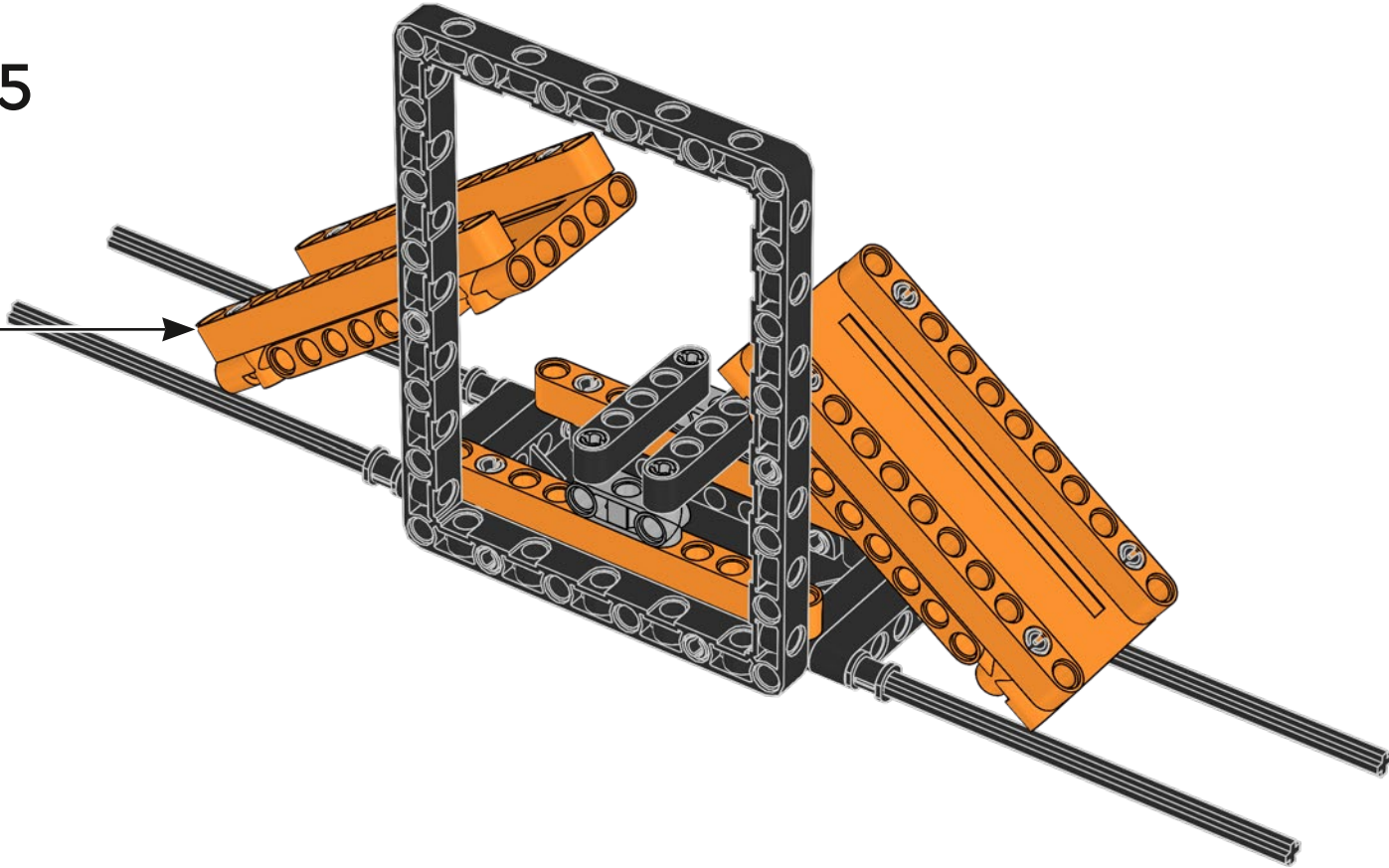
13

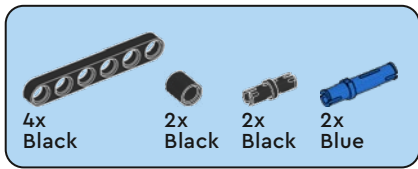


14

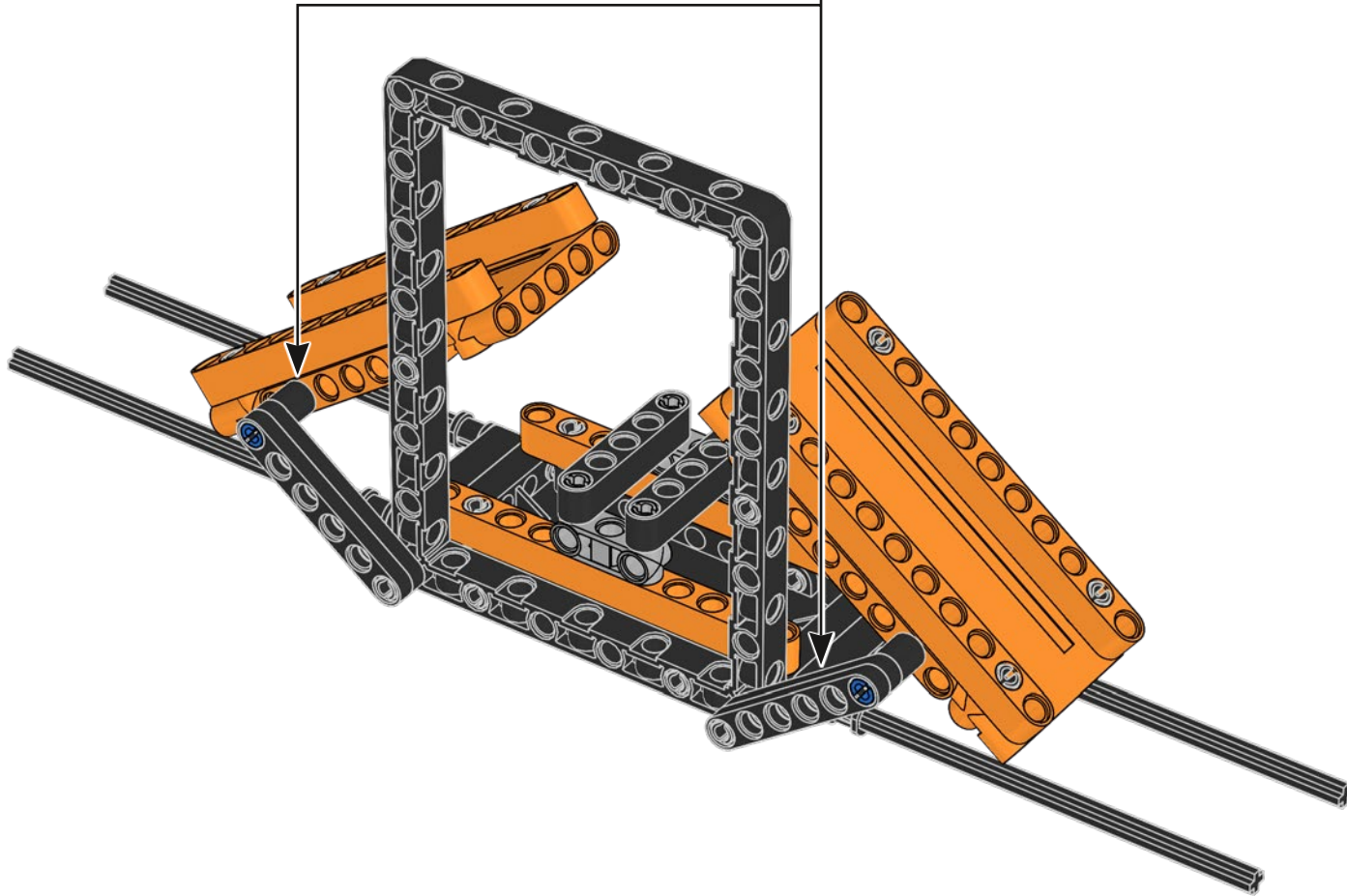
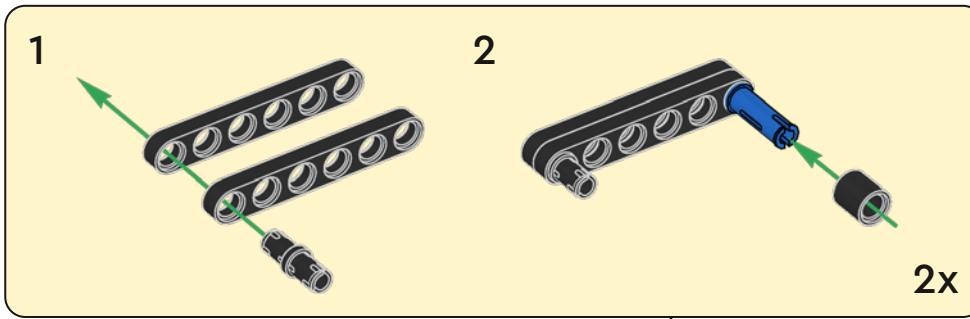


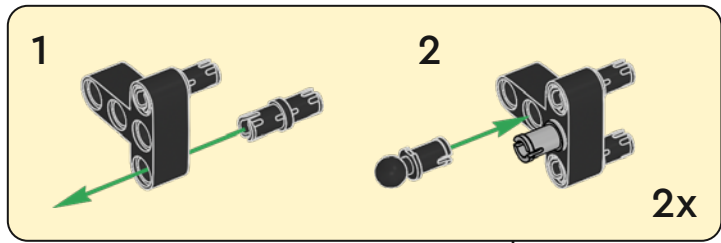
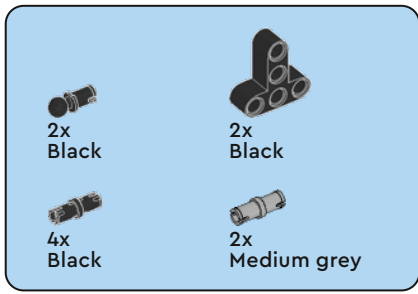
15



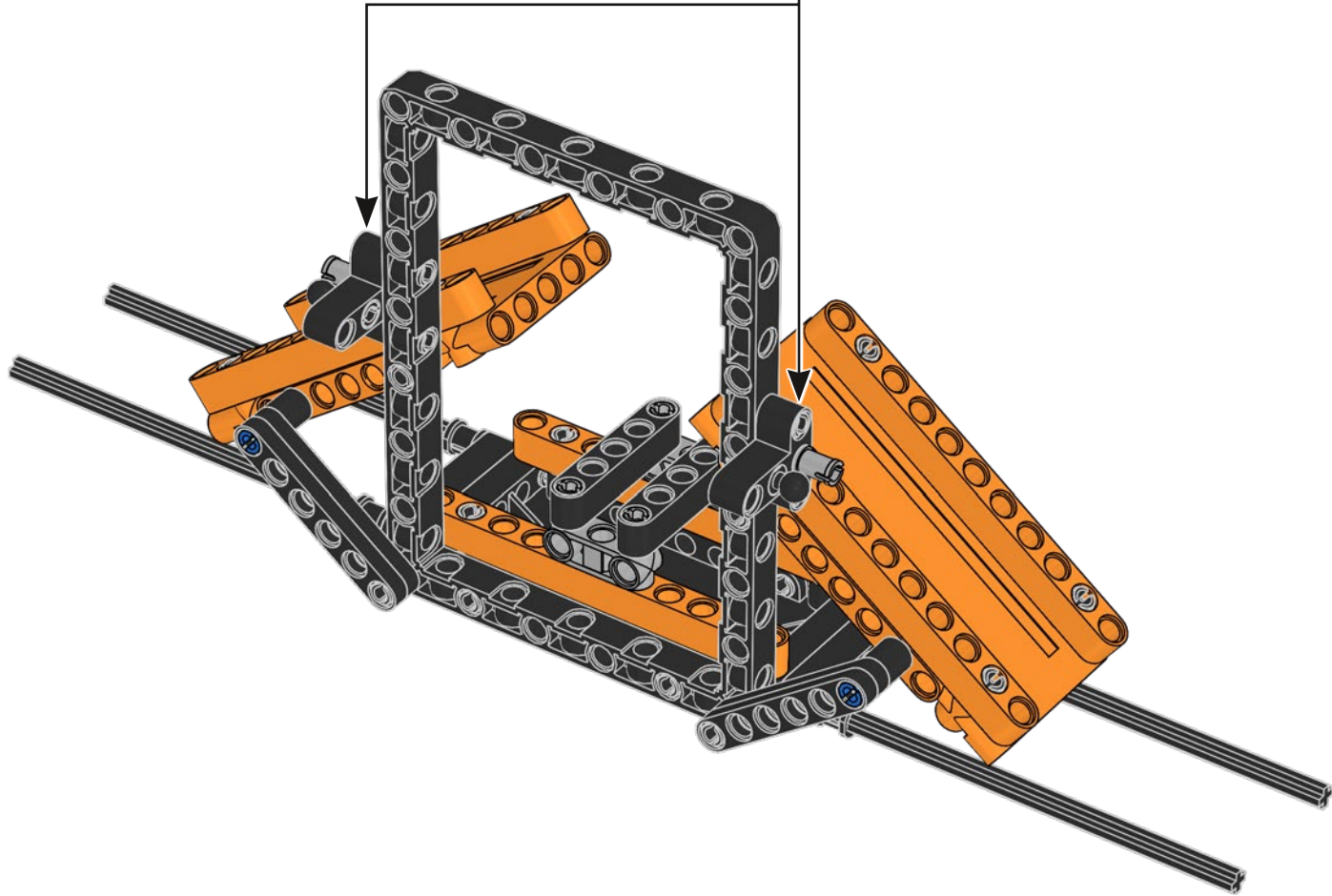


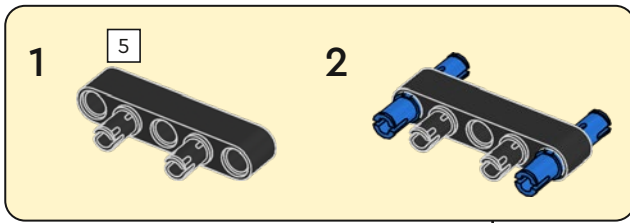
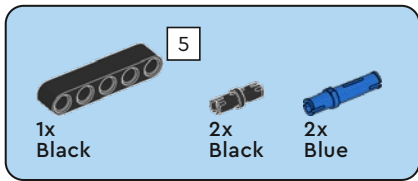
16



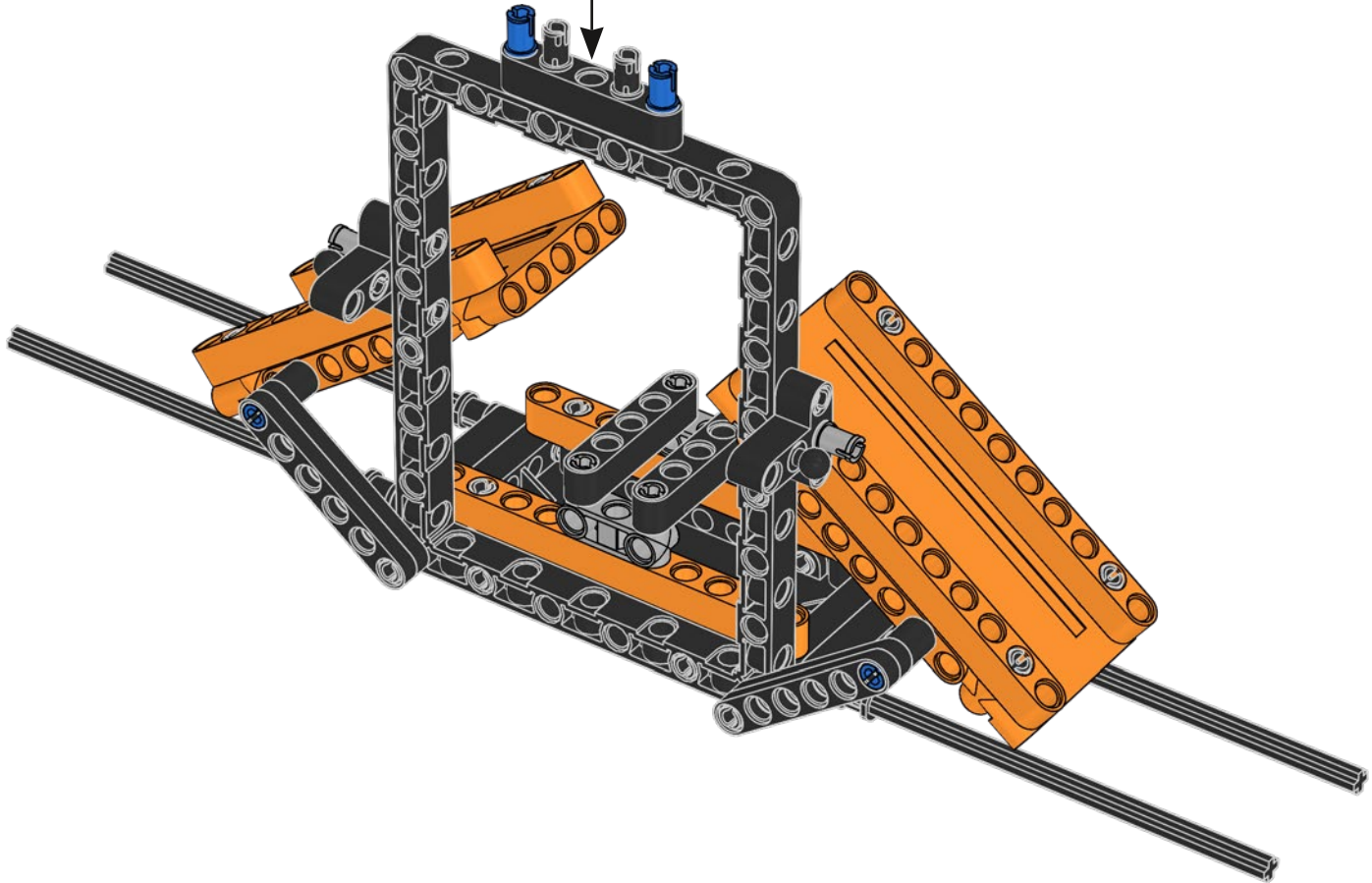


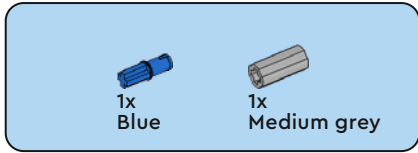
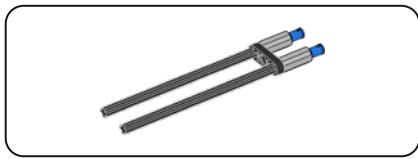
17



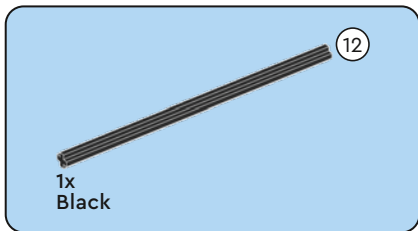
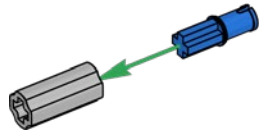


18

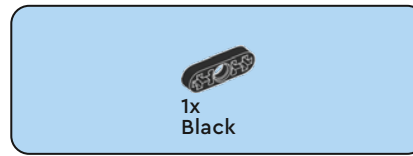




19

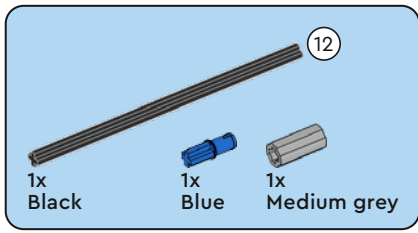


20

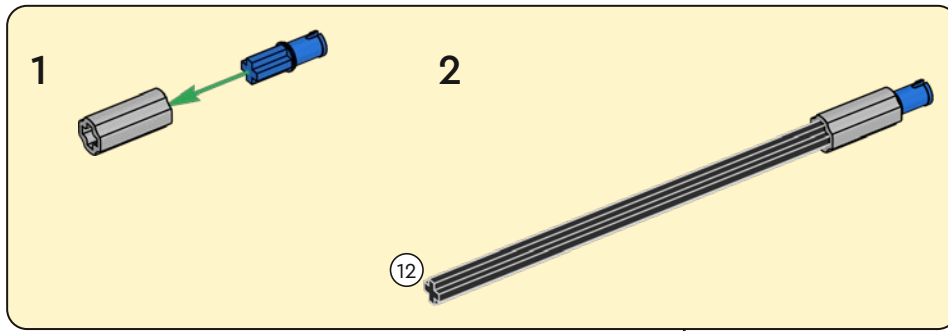


21

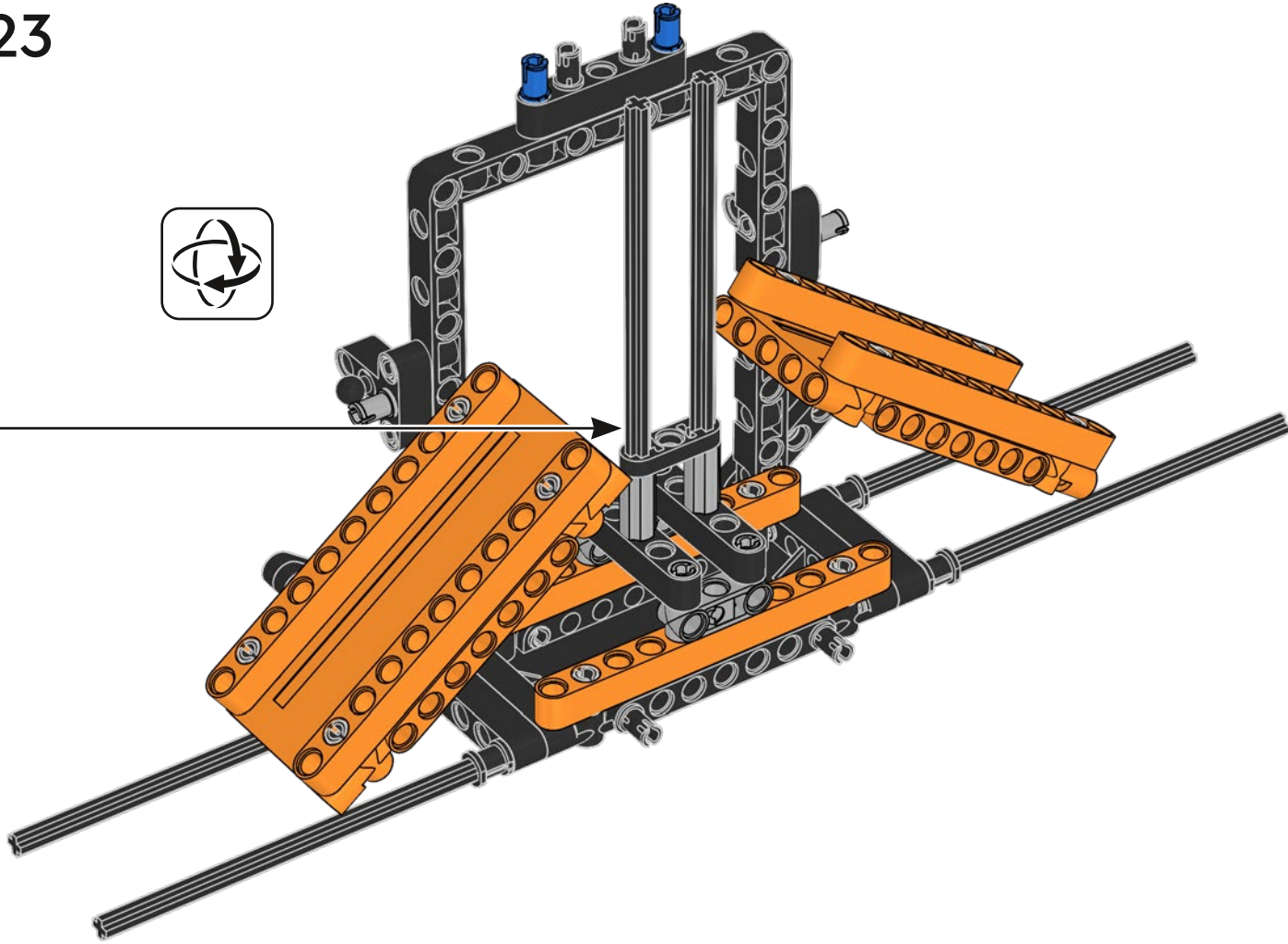


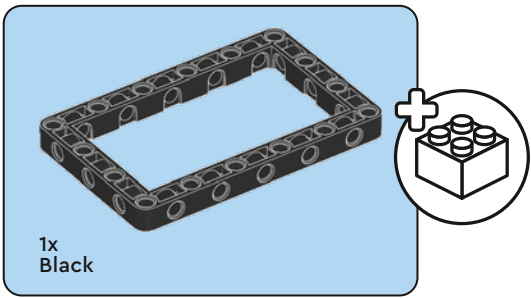


22

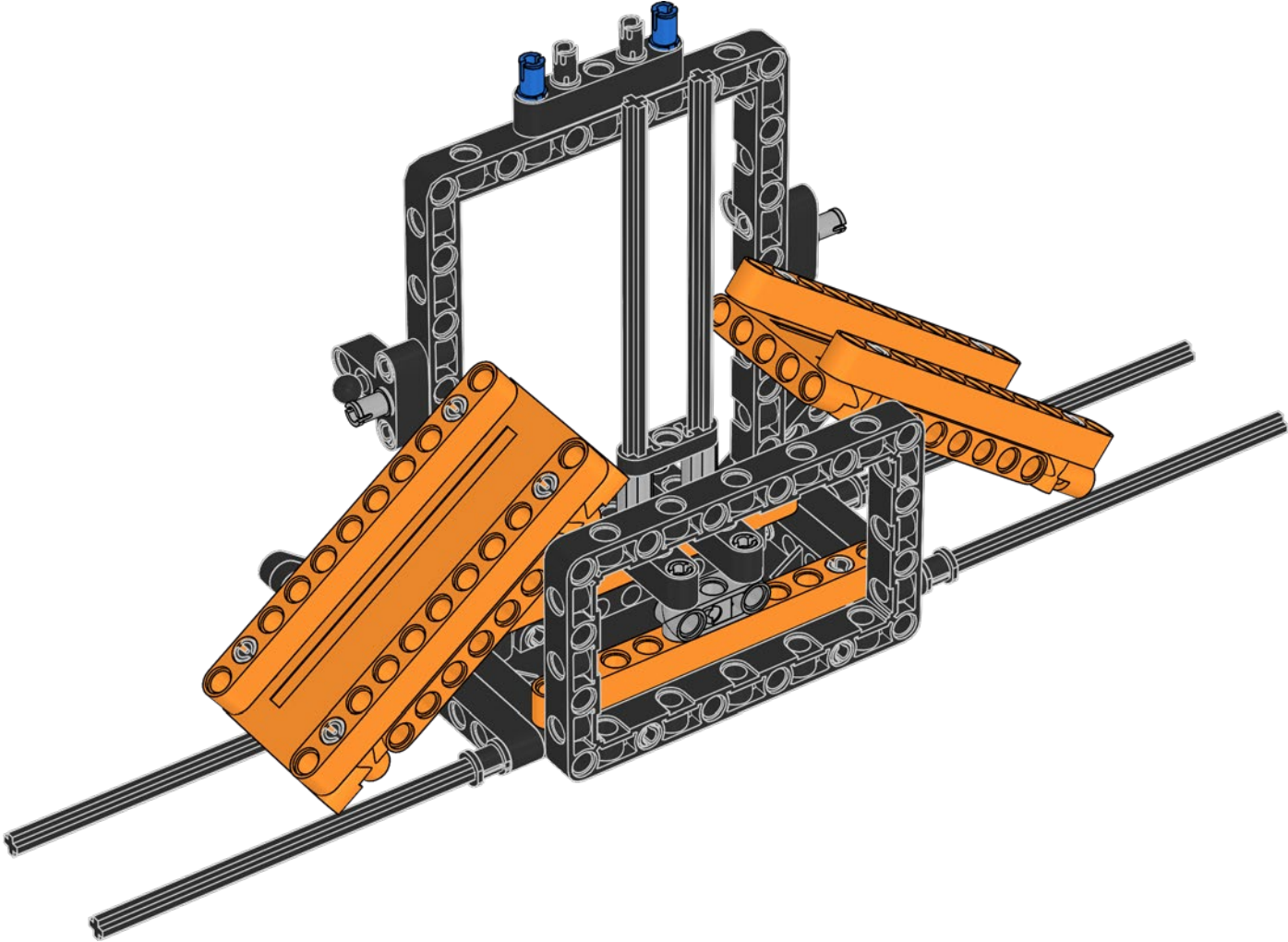


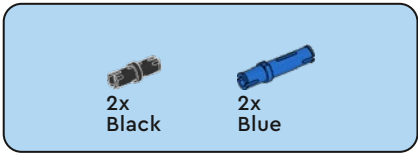
23



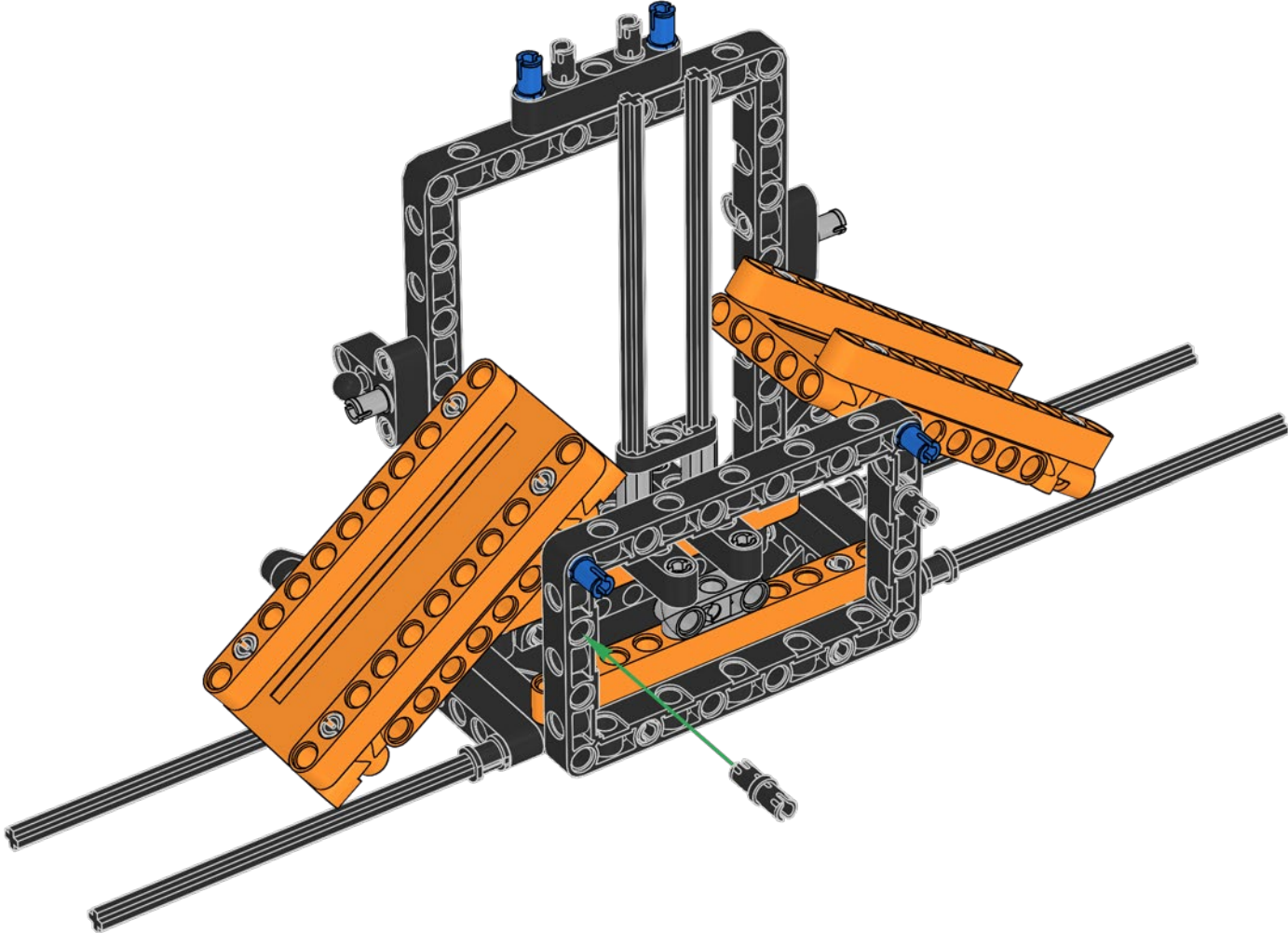


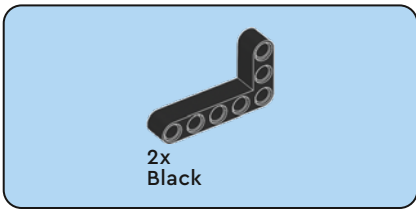
24



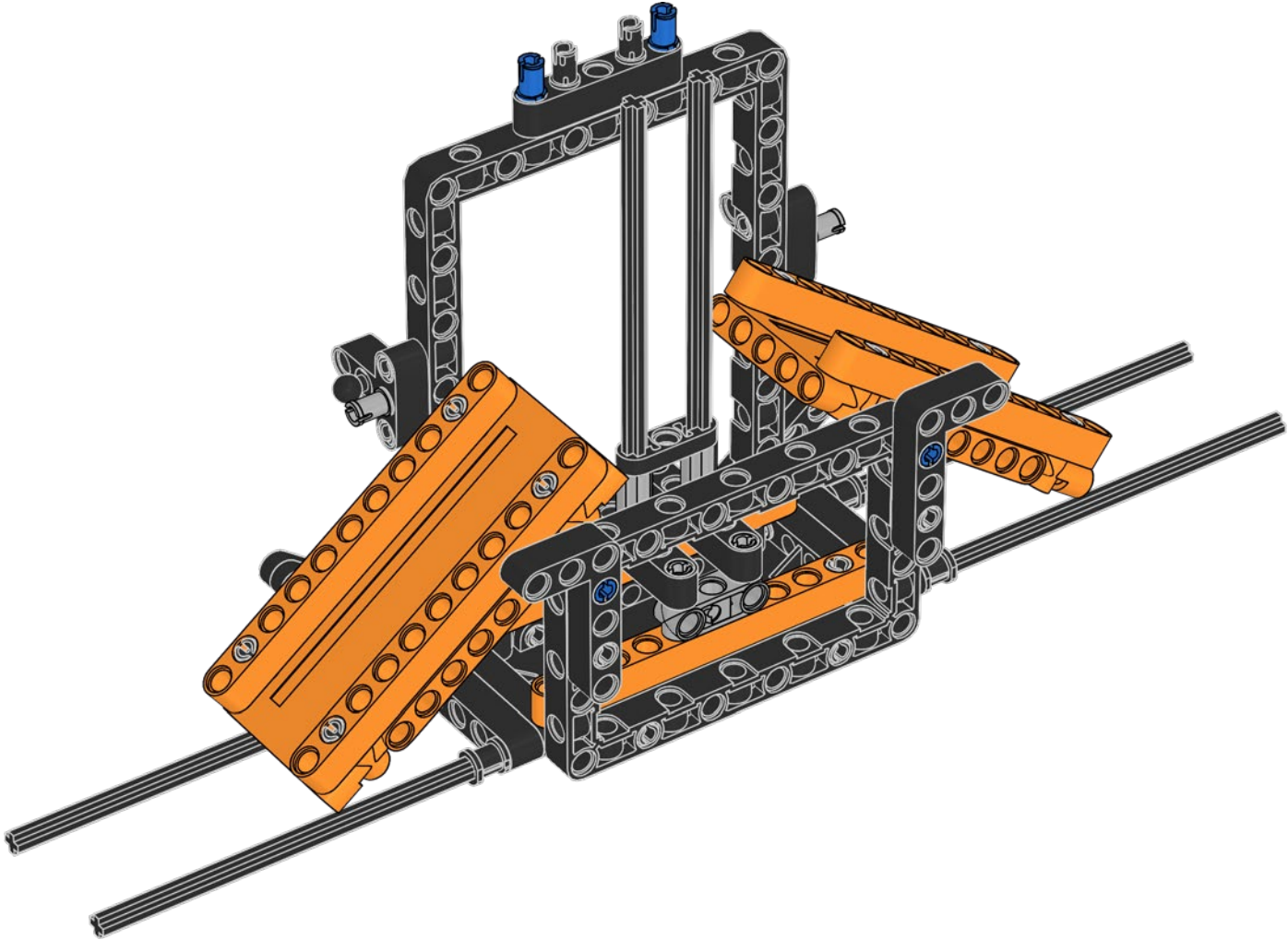


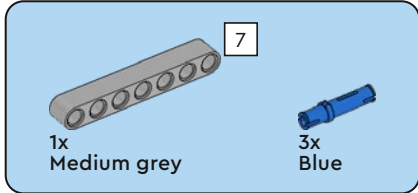
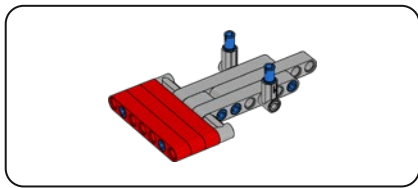
25



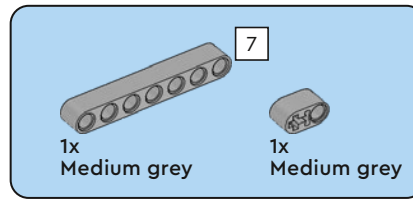
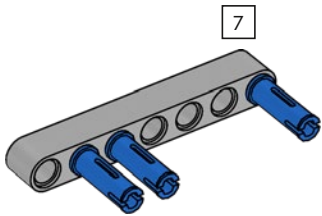


26

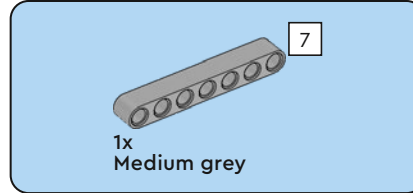
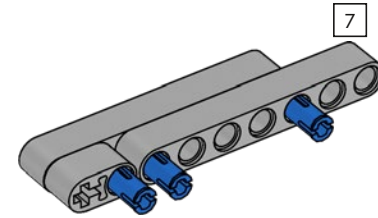




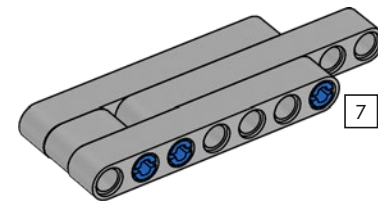
27

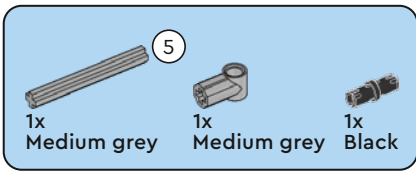


28

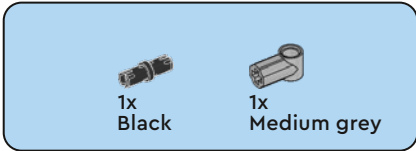
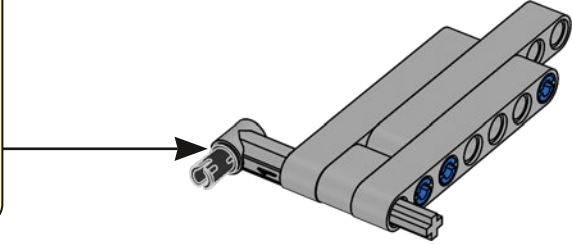
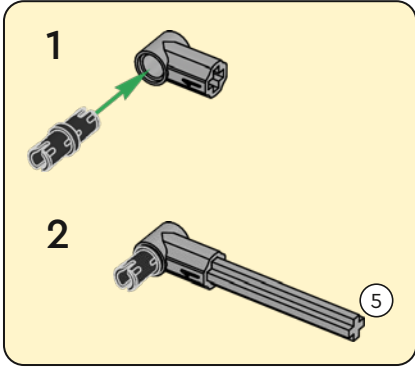


29

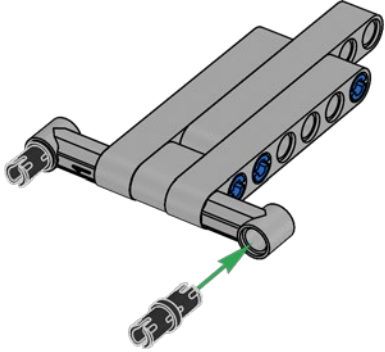


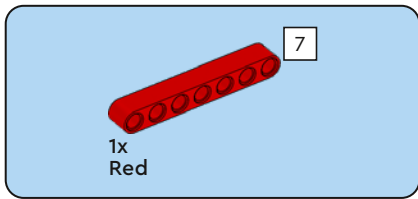


30

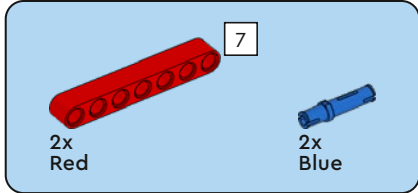
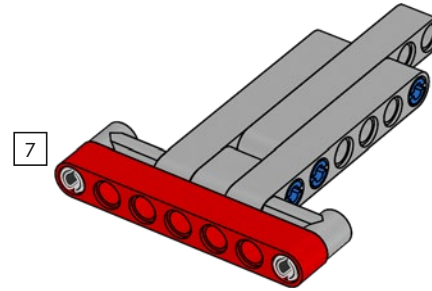


31

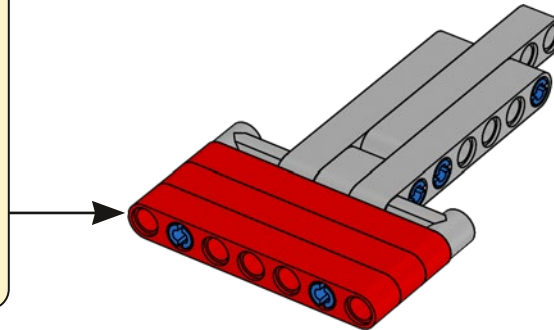
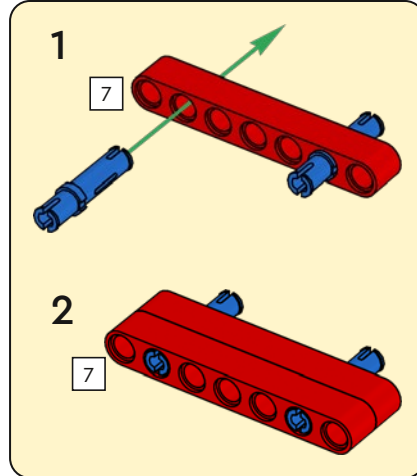


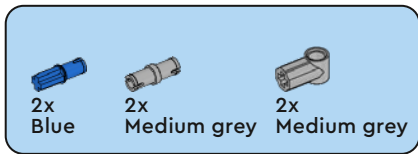


32

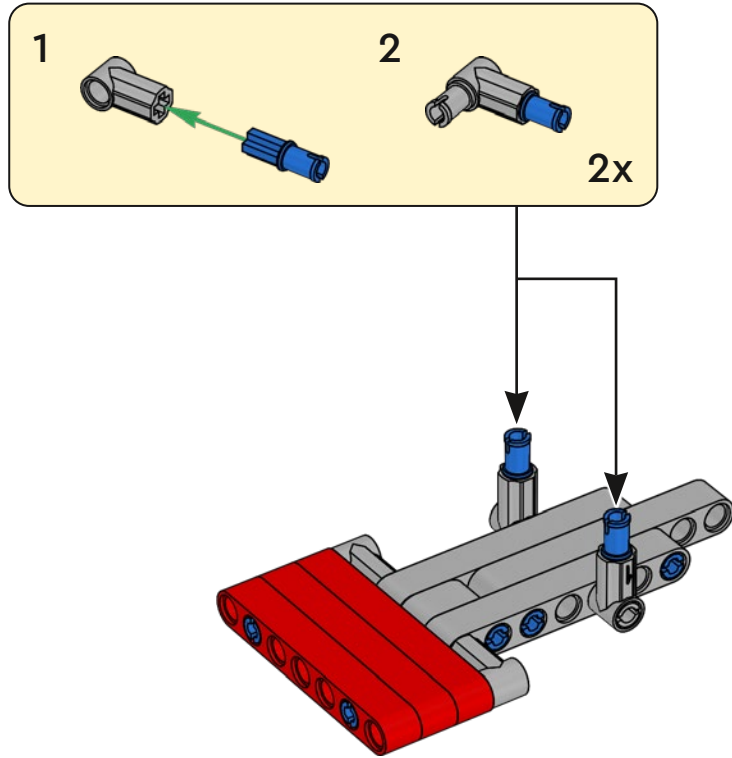


33

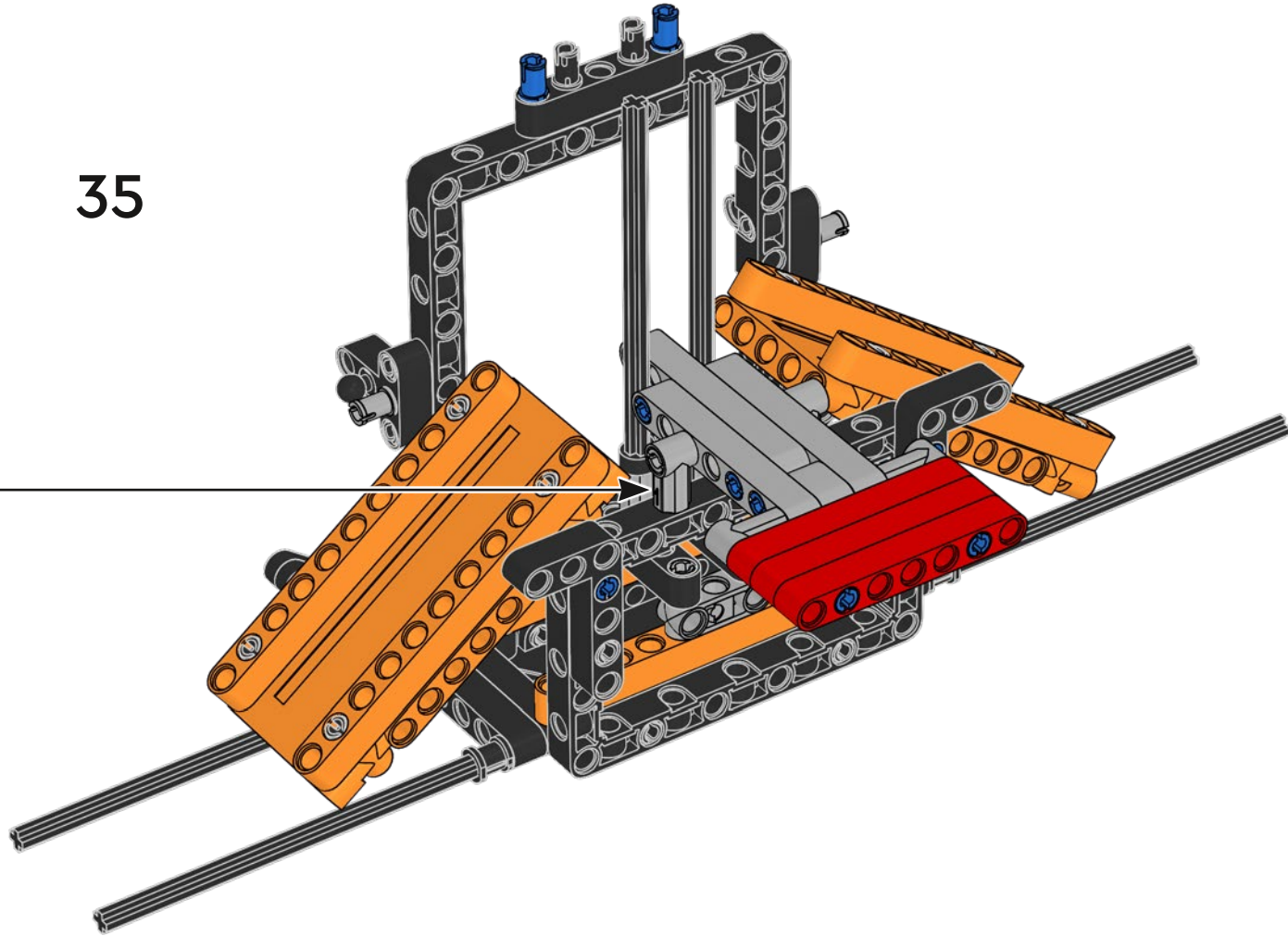


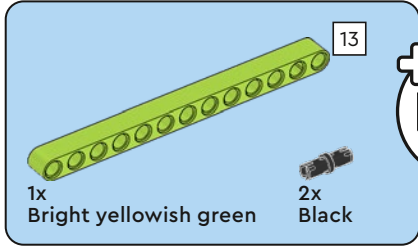
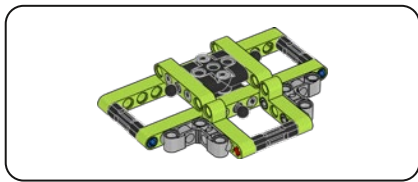


34

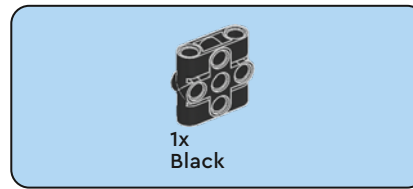
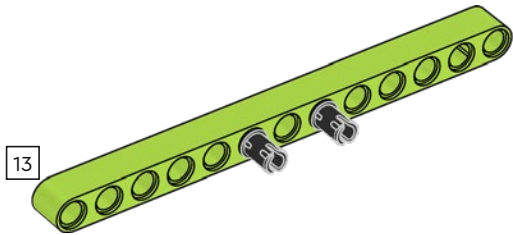


35

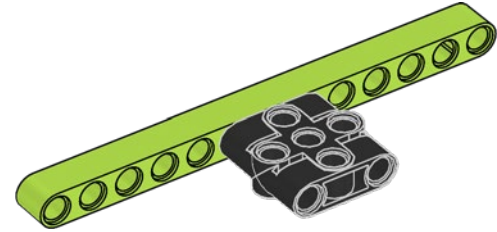




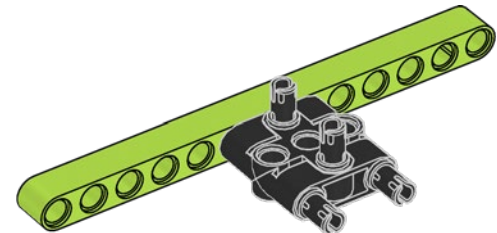
36

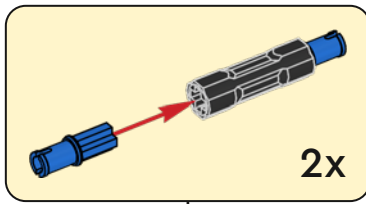
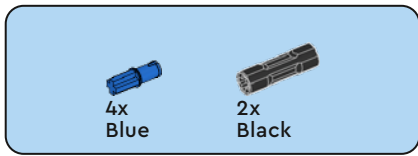


37

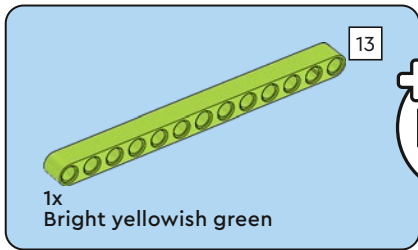
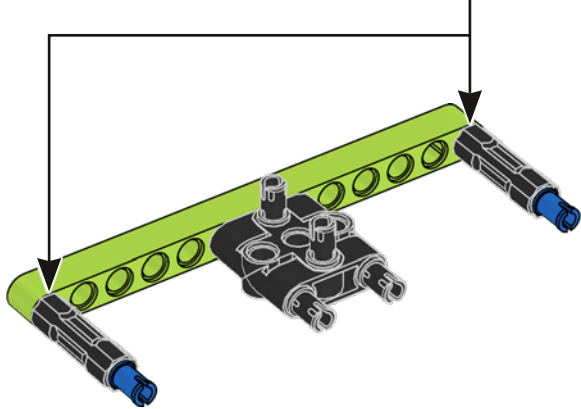


38

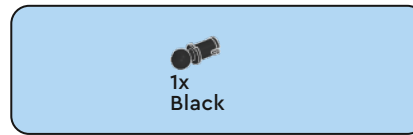
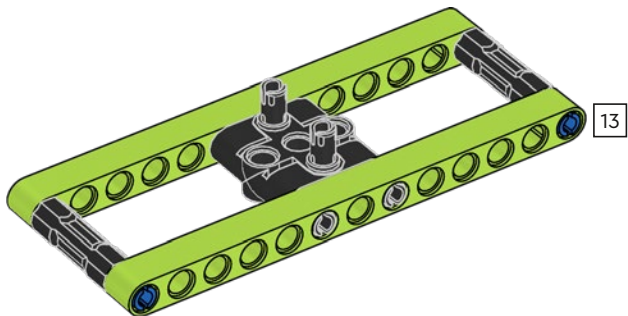




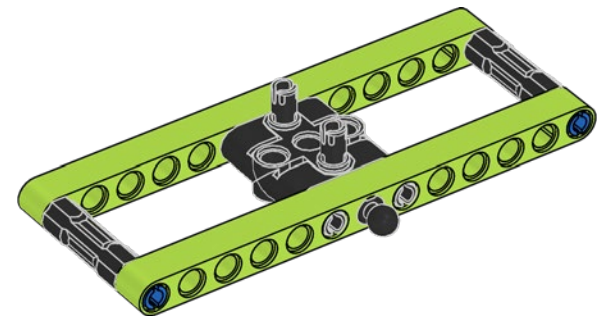
39

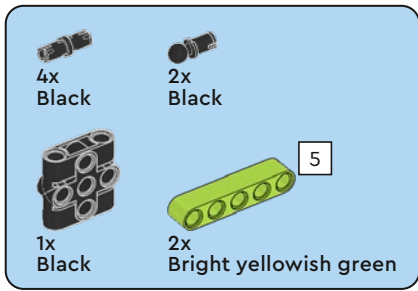


40

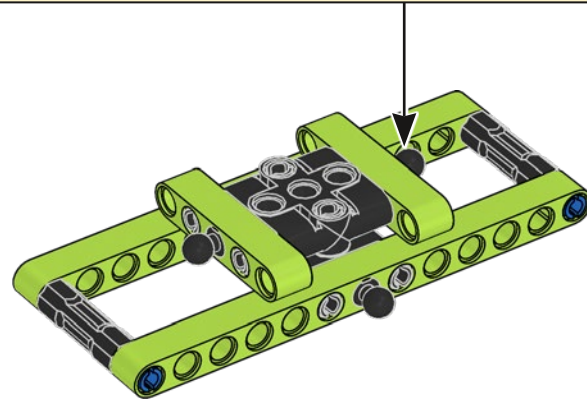
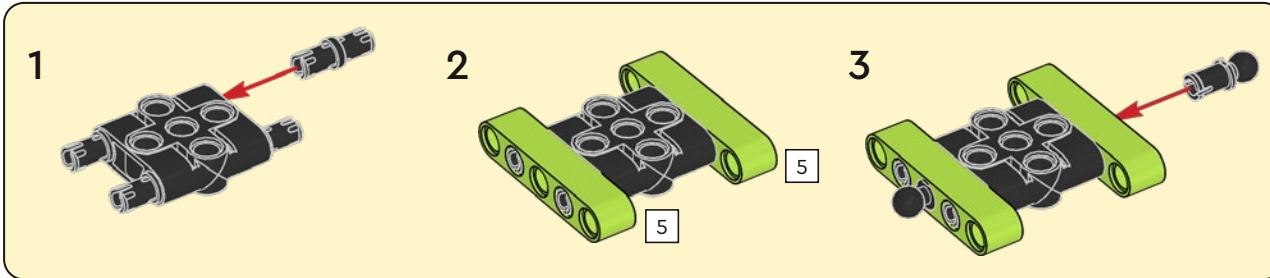


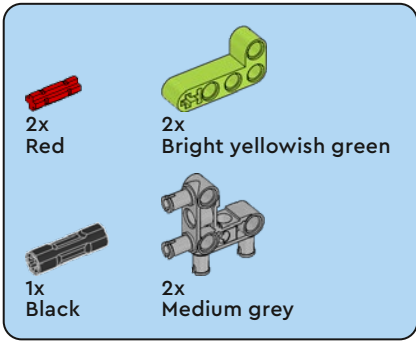
41



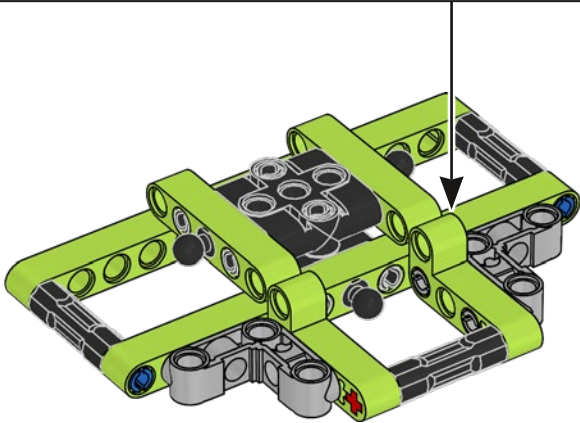
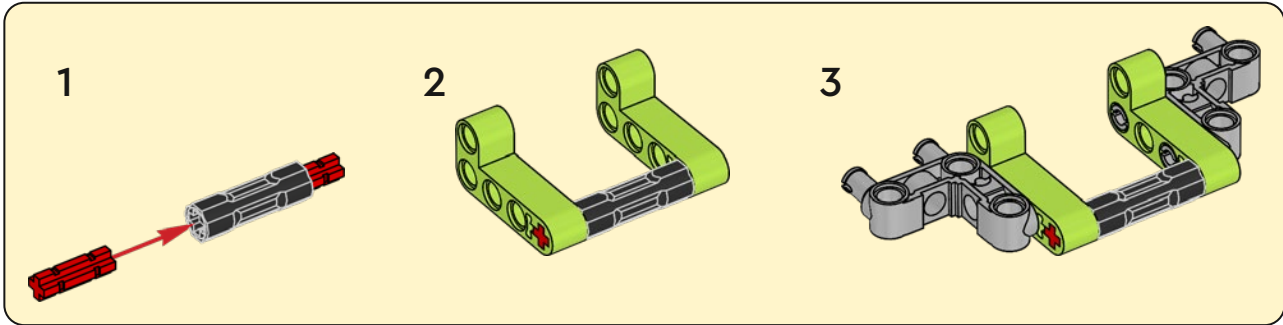


42

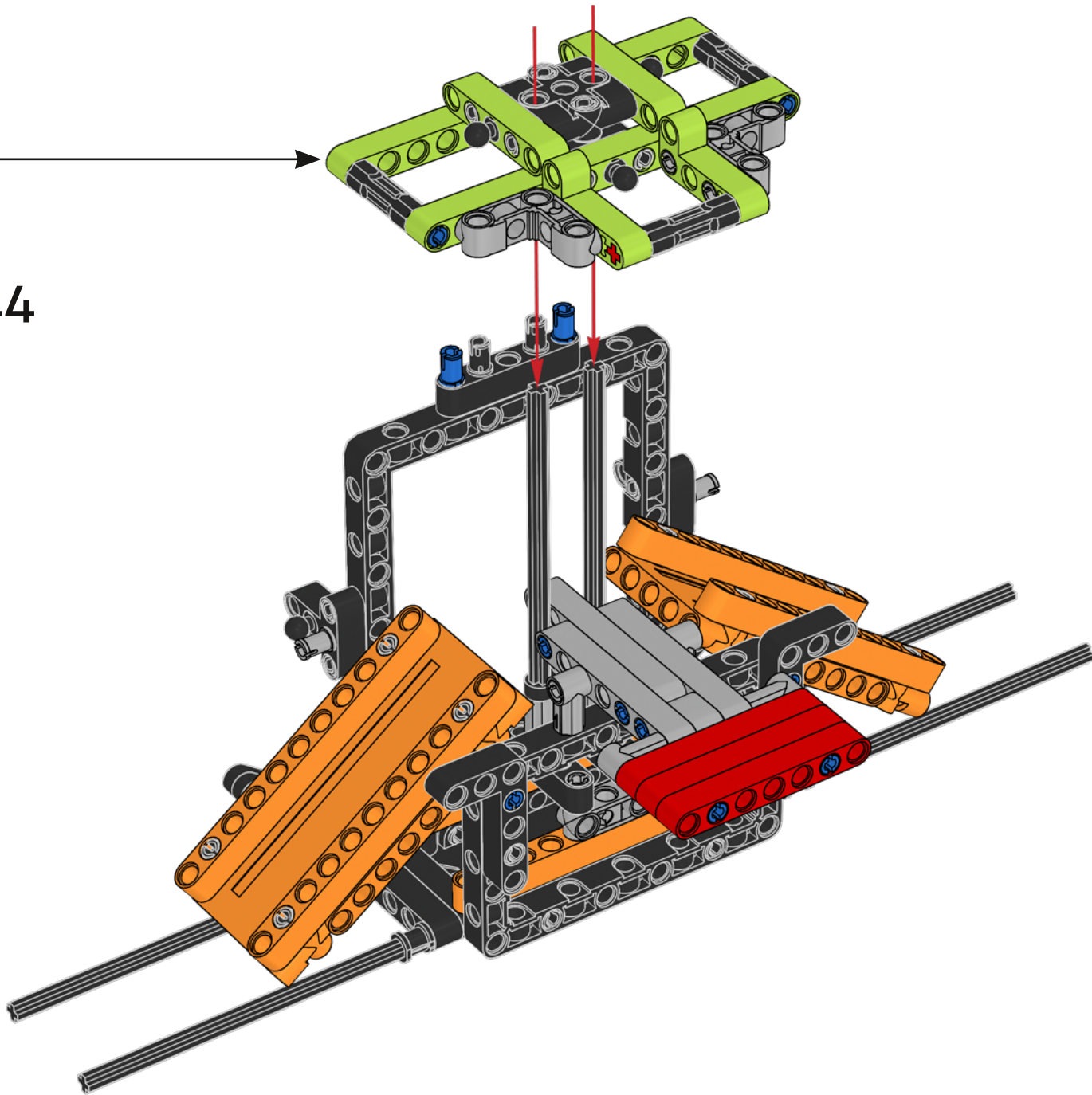




43



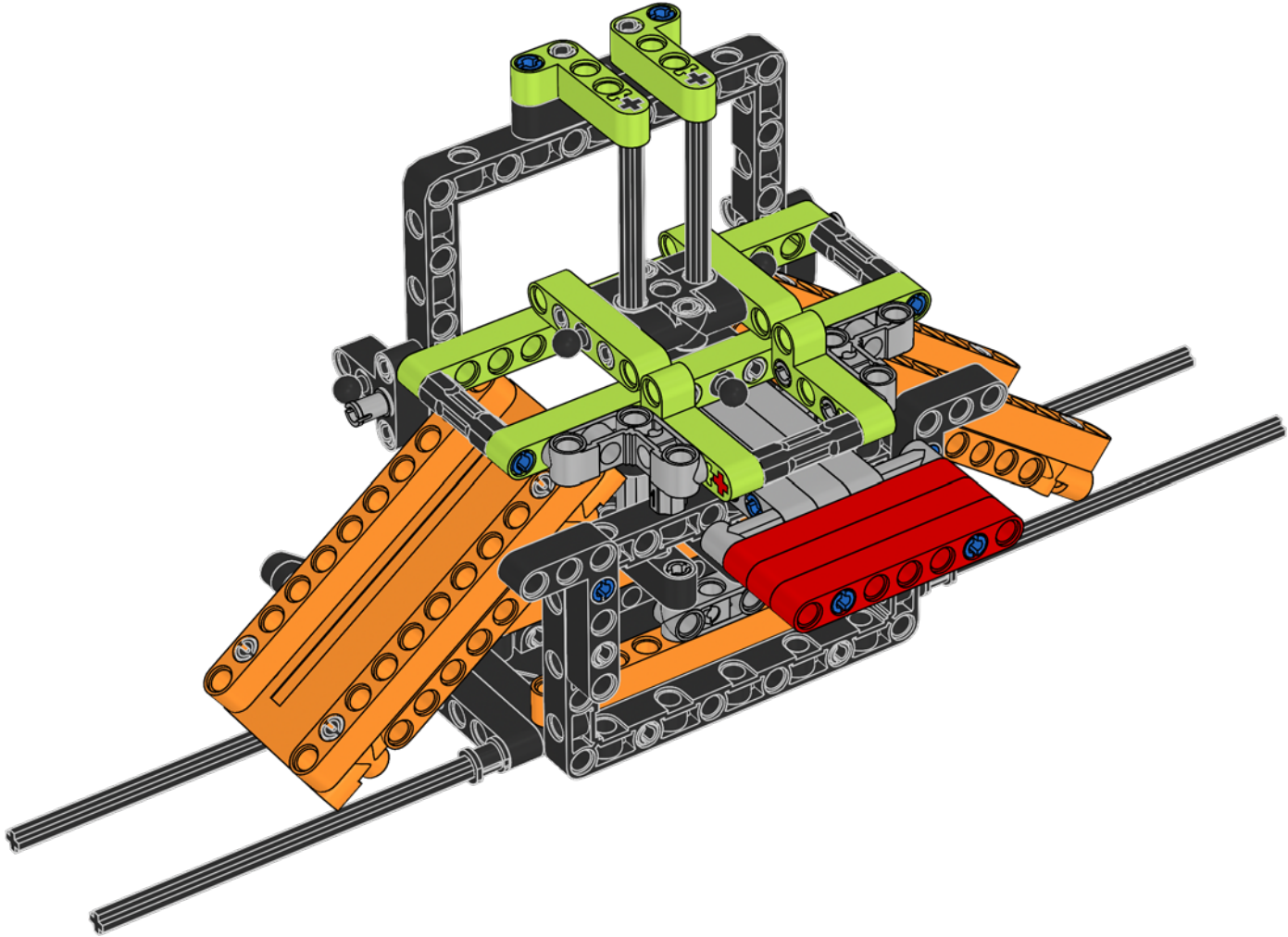
44

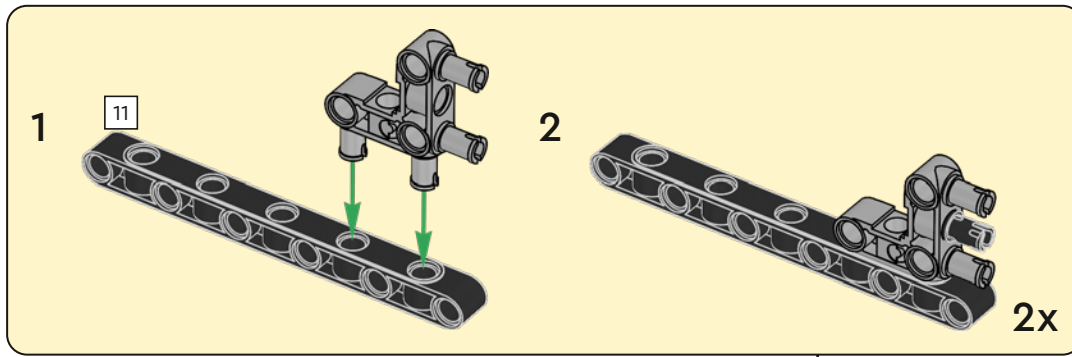
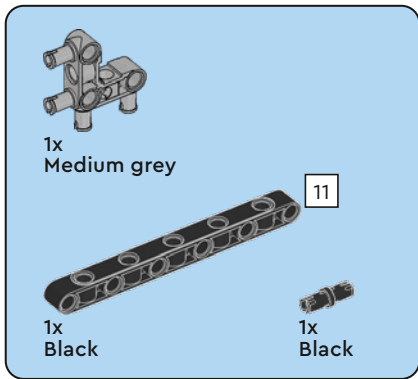




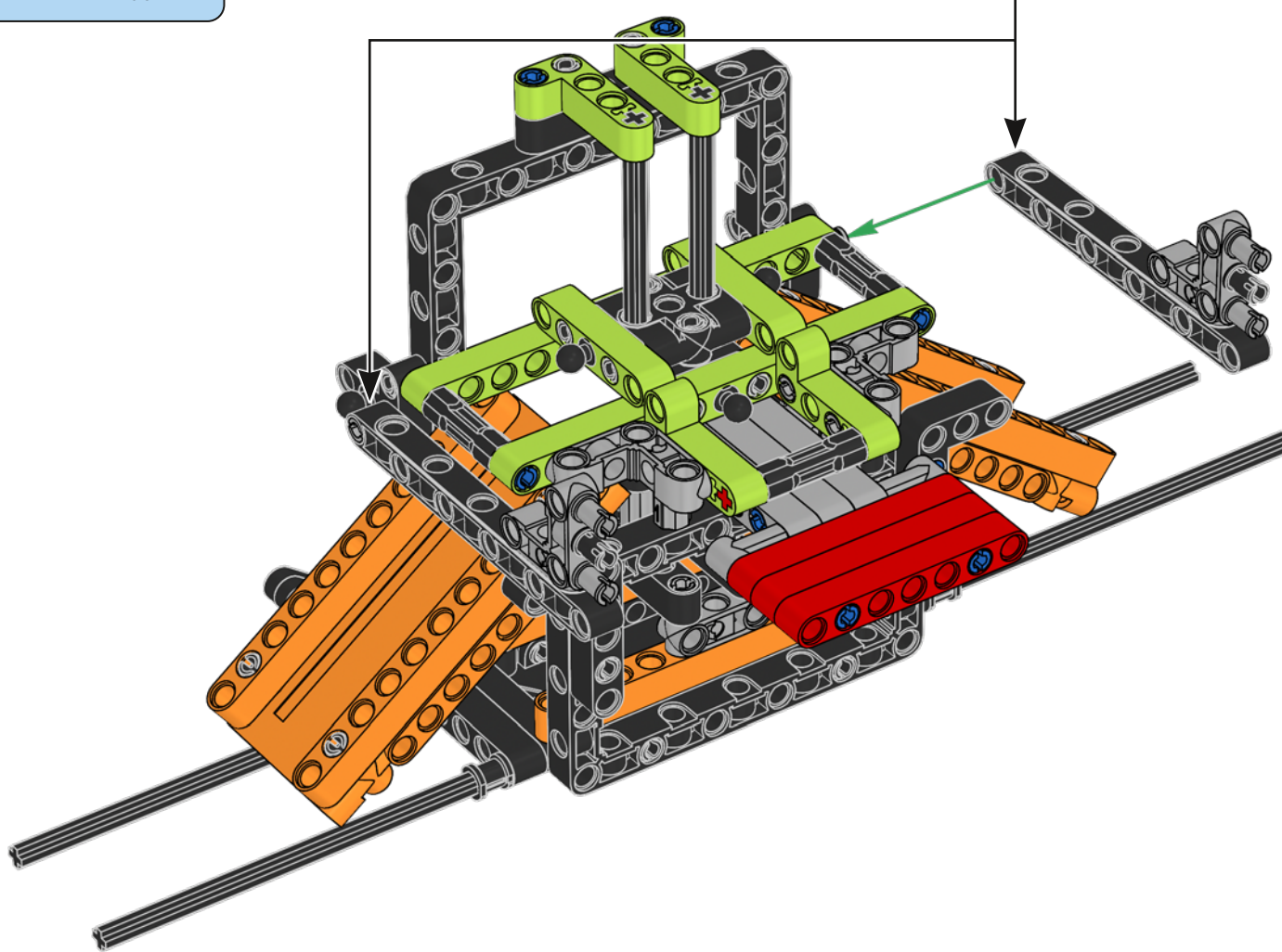
2x
Bright yellowish green

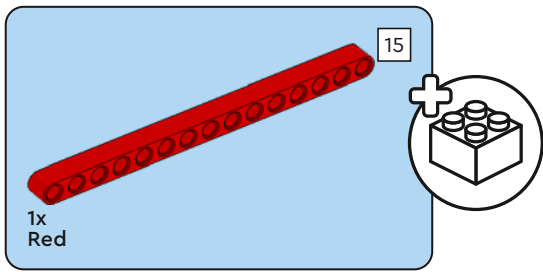
45



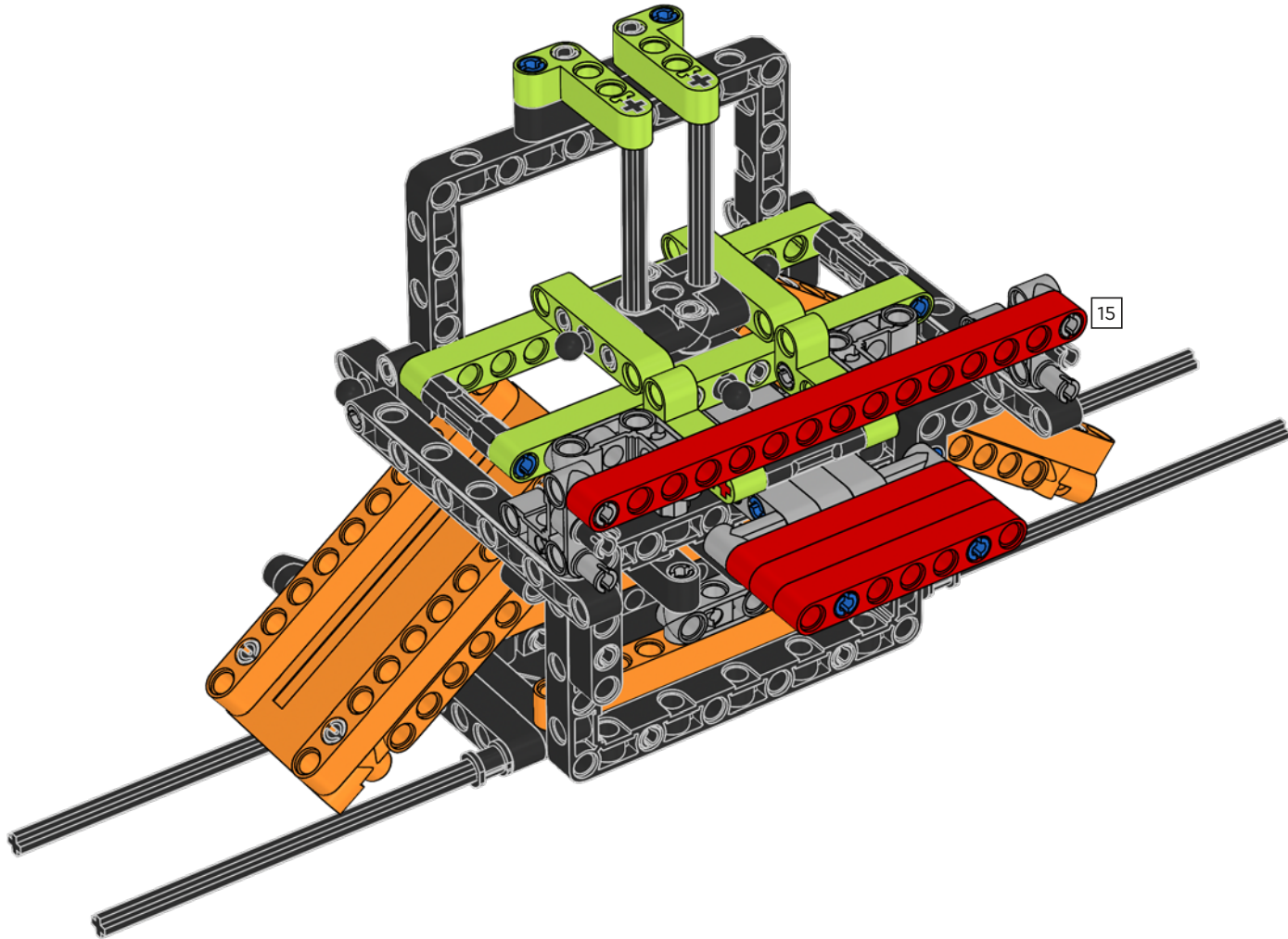


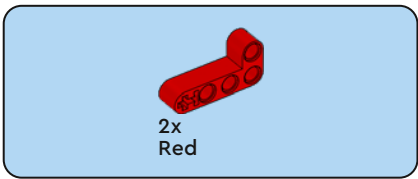
46



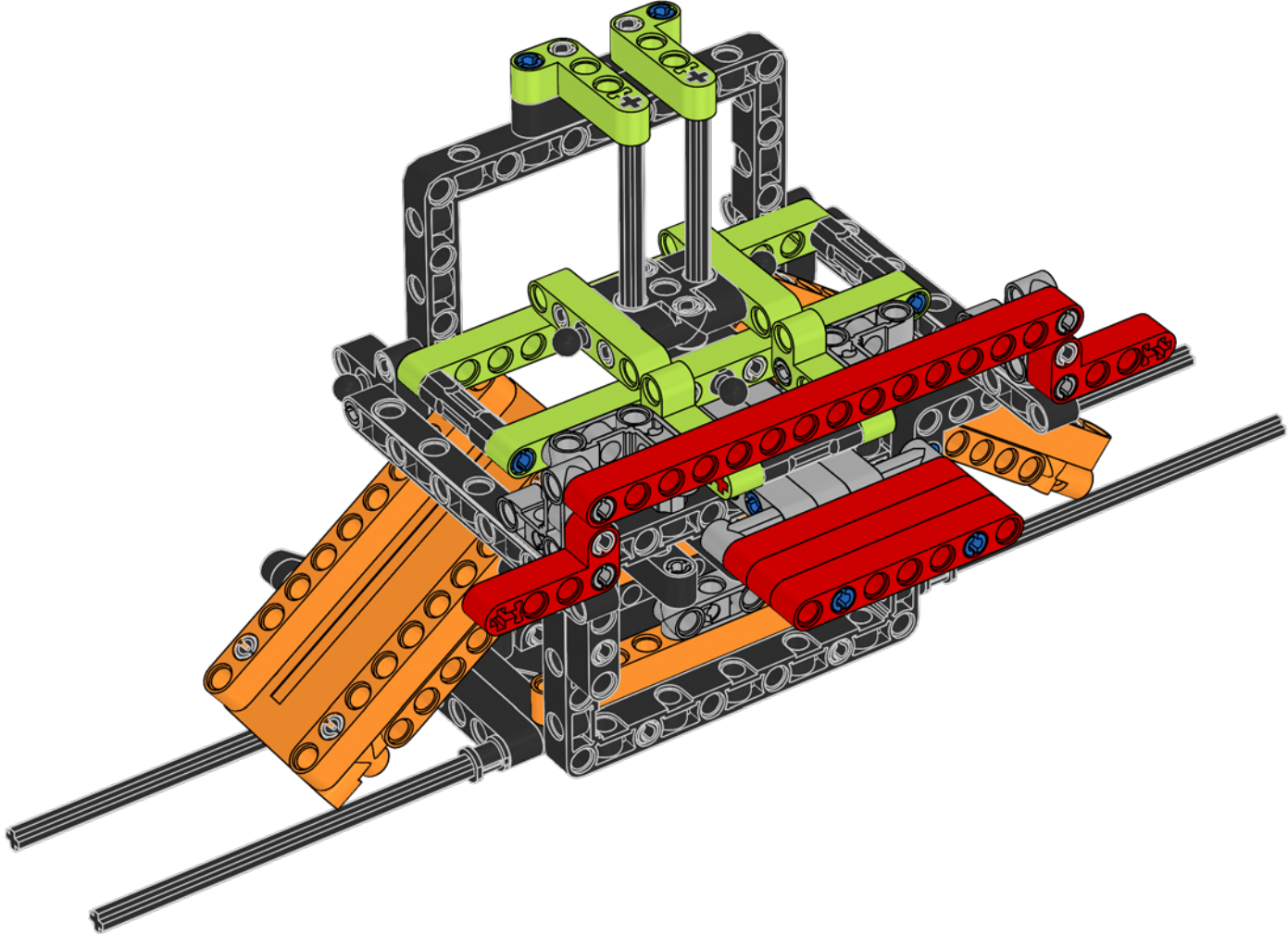


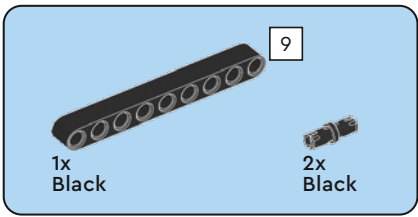
47



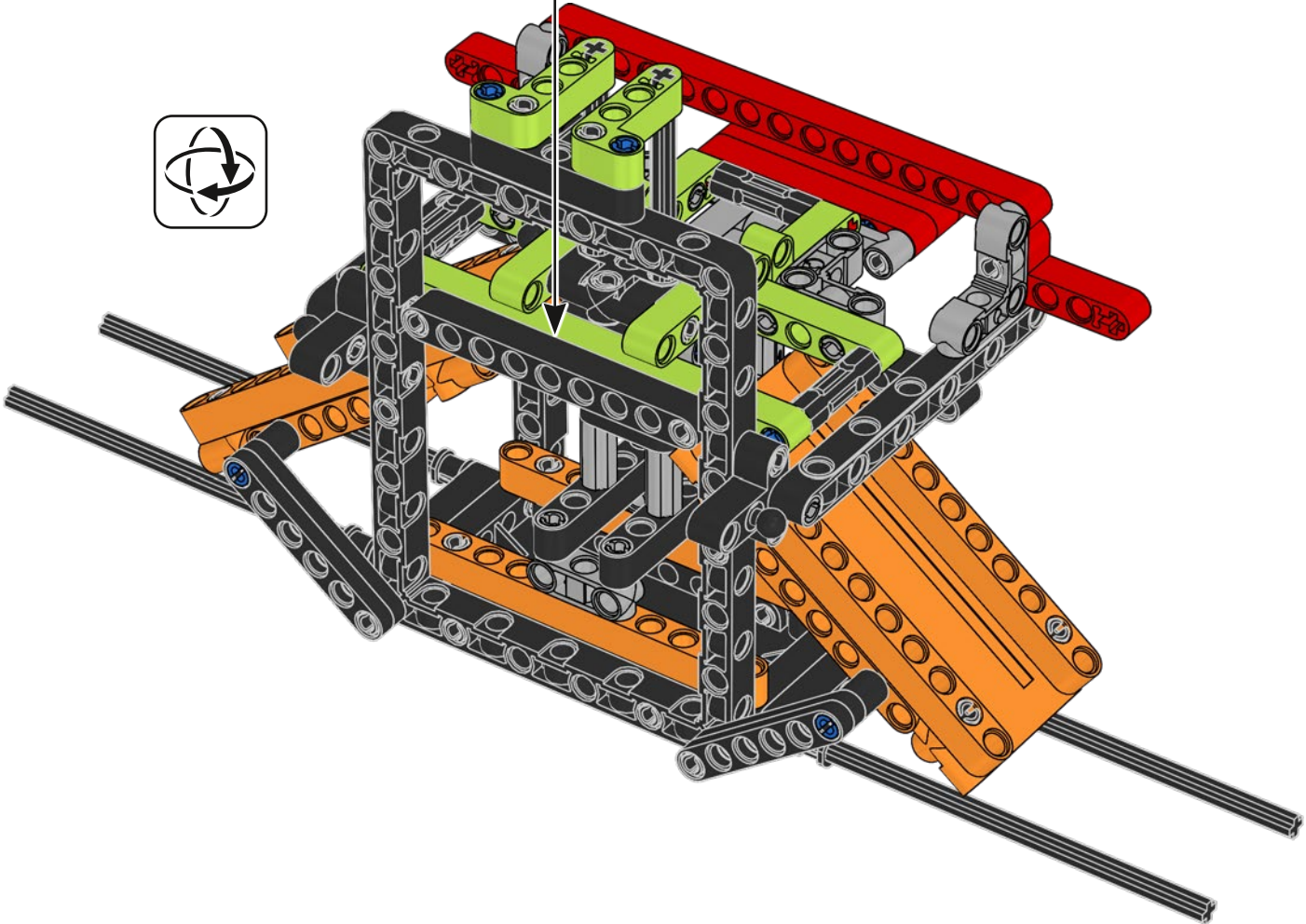
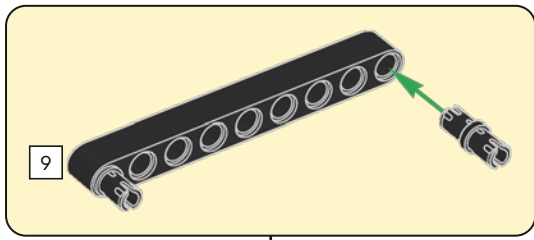


48





49



LEGO and the LEGO logo are trademarks of the/son des marques de commerce du/son marcas registradas de LEGO Group.
 ©2022 The LEGO Group.
 FIRST™ is a registered trademark of For Inspiration and Recognition of Science and Technology (FIRST). LEGO® is a registered trademark of the LEGO Group. FIRST™, LEGO™, LEAGUE and SUPERPOWERED™ are jointly held trademarks of FIRST and the LEGO Group.
 ©2022 FIRST and the LEGO Group. All rights reserved.